

GT VisionLift Express™



Pre-Engineered Hydraulic Elevator Package

GT
Silver
3-Year
Warranty*



- ✓ 2500 lbs (1134 kg) Capacity
- ✓ Fast Delivery
- ✓ Top Quality Components
- ✓ Upgraded Cab
- ✓ Stainless Steel Satin #4 Cab Front
- ✓ Stainless Steel Satin #4 Reveals
- ✓ Prewired Components
- ✓ Serial Link
- ✓ 3-Year Warranty*
- ✓ Surprisingly Competitive

Since 1984, **Global-Tardif** has earned a top reputation manufacturing a full range of reliable, field-proven, innovative elevator products including Gearless, Geared, Hydraulic, Freight and specialty Custom elevator systems.

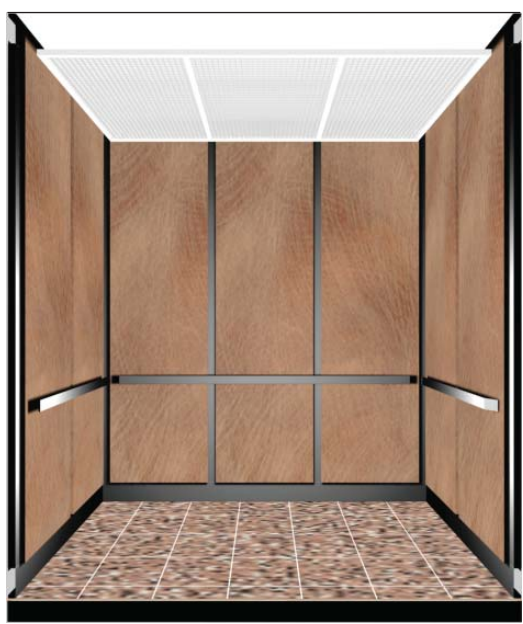
The **GT VisionLift Express™** satisfies the need for quick shipment of an economical hydraulic elevator package that looks anything but standard.

An outstanding cab is just the beginning. Stainless reveals, base and trim are complimented by stainless handrails, doors and cab front. A lexan or egg crate suspended ceiling is provided. The plastic laminate hang-on panels - available in a choice of colors and patterns - are completely removable from inside the cab.

Beauty is more than skin deep. Laser and CNC machining assure unprecedented manufacturing precision. Every cab and car sling/platform is test-assembled before shipment to confirm fast and problem-free field assembly.

The **GT VisionLift Express™** is powered by our rugged **GT-SBPower™** pump unit. The **GT-ProLink™** controller includes labor saving serial communication technology.

Quality... price... delivery... **Global-Tardif** is your total resource.



since 1984



Elevator Manufacturing Group



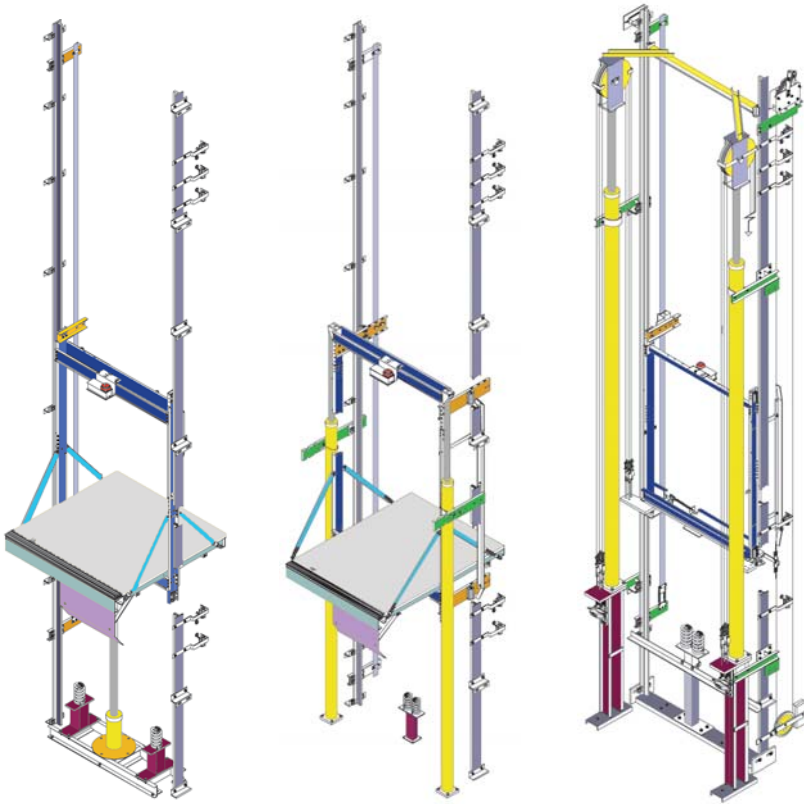
Standard Features

- 2500 lbs (1134 kg) capacity
- Passenger or hospital type
- 80, 100, 125, 150 Fpm (0.4, 0.5, 0.6, 0.75 m/sec)
- Standard Global-Tardif platform sizes
- Travel up to 80 feet (25 m) depending on the model selected
- Submersible pump unit **GT-SBPower™**
- Independent service operation
- Emergency fire service operation
- Infrared door detection operation
- Anti Nuisance Operation
- Hoistway access operation
- Nudging

Options

- Emergency Hospital service operation
- Earthquake Emergency operation
- Elevator monitoring system
- VIP operation
- ADA Emergency phone
- Automatic dispatching of loaded car operation

Models



In Ground

Holeless
Twin Jack
Direct

Holeless
Twin Jack
Roped

In-Ground

Generally the least expensive approach; this traditional design has been in use for many decades. Best for low-rise, 2-4 stop applications where ground drilling is possible.

Holeless Twin Jack Direct

Developed to avoid the potential soil contamination risk of in-ground installation, this design has also been in use for many years.

It is the most popular solution for two stop applications. Increased overhead and/or pit depth may be required based on total travel when compared to in-ground installations.

Holeless Twin Jack Roped

Best for longer travel applications – up to 80 feet – this design innovation has been thoroughly field proven in the last few years.

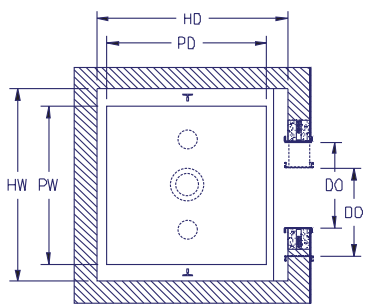
Since no drilling is required, this approach eliminates the risk of soil contamination. Larger total hoistway size is required when compared to in-ground installations. There are no special pit or overhead requirements.

GT
Silver
3-Year
Warranty*

Global-Tardif reserves the right to change specifications without notice

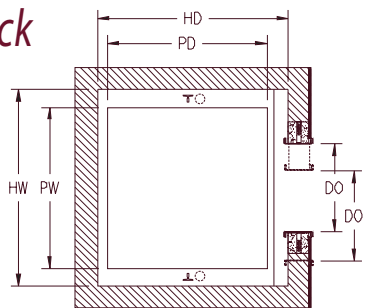
Holed

Front Opening



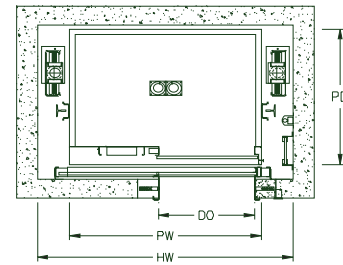
Twin Jack Direct

Front Opening



Twin Jack Roped

Front Opening

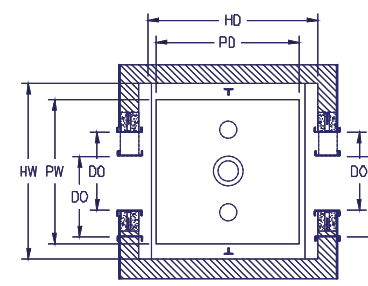


| Capacity Lbs | Hoistway Width | Hoistway Depth | Platform Width | Platform Depth | Cab inside Width | Cab inside Depth | Type of Opening | Size of Opening |
|--------------|----------------|----------------|----------------|----------------|------------------|------------------|-----------------|-----------------|
| Kg | HW | HD | PW | PD | CIW | CID | | |
| 2500 | 100" | 69" | 84" | 61" | 80" | 51" | SSP, CO | 42" x 84" |
| 1134 | 2540 | 1753 | 2134 | 1549 | 2032 | 1295 | | 1067 x 2134 |

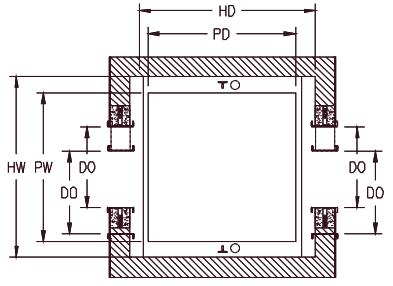
| Capacity Lbs | Hoistway Width | Hoistway Depth | Platform Width | Platform Depth | Cab inside Width | Cab inside Depth | Type of Opening | Size of Opening |
|--------------|----------------|----------------|----------------|----------------|------------------|------------------|-----------------|-----------------|
| Kg | HW | HD | PW | PD | CIW | CID | | |
| 2500 | 100" | 69" | 84" | 61" | 80" | 51" | SSP, CO | 42" x 84" |
| 1134 | 2540 | 1753 | 2134 | 1549 | 2032 | 1295 | | 1067x2134 |

| Capacity Lbs | Hoistway Width | Hoistway Depth | Platform Width | Platform Depth | Cab inside Width | Cab inside Depth | Type of Opening | Size of Opening |
|--------------|----------------|----------------|----------------|----------------|------------------|------------------|-----------------|-----------------|
| Kg | HW | HD | PW | PD | CIW | CID | | |
| 2500 | 108" | 69" | 84" | 61" | 80" | 51" | SSP, CO | 42" x 84" |
| 1134 | 2743 | 1753 | 2134 | 1549 | 2032 | 1295 | | 1067x2134 |

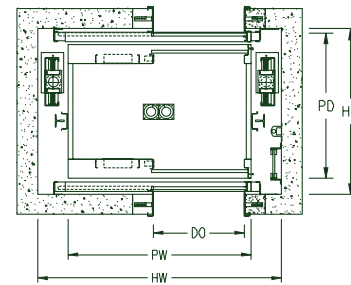
Front & Rear Opening



Front & Rear Opening



Front & Rear Opening



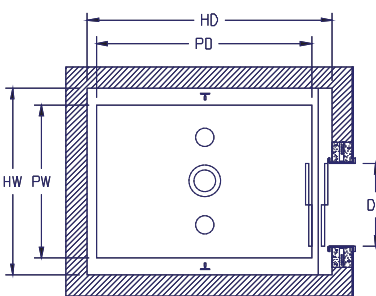
| Capacity Lbs | Hoistway Width | Hoistway Depth | Platform Width | Platform Depth | Cab inside Width | Cab inside Depth | Type of Opening | Size of Opening |
|--------------|----------------|----------------|----------------|----------------|------------------|------------------|-----------------|-----------------|
| Kg | HW | HD | PW | PD | CIW | CID | | |
| 2500 | 100" | 79 1/4" | 84" | 66 3/4" | 80" | 51 3/4" | SSP, CO | 42" x 84" |
| 1134 | 2540 | 2013 | 2134 | 1695 | 2032 | 1314 | | 1067 x 2134 |

| Capacity Lbs | Hoistway Width | Hoistway Depth | Platform Width | Platform Depth | Cab inside Width | Cab inside Depth | Type of Opening | Size of Opening |
|--------------|----------------|----------------|----------------|----------------|------------------|------------------|-----------------|-----------------|
| Kg | HW | HD | PW | PD | CIW | CID | | |
| 2500 | 100" | 79 1/4" | 84" | 66 3/4" | 80" | 51 3/4" | SSP, CO | 42" x 34" |
| 1134 | 2540 | 2013 | 2134 | 1695 | 2032 | 1314 | | 1067 x 2134 |

| Capacity Lbs | Hoistway Width | Hoistway Depth | Platform Width | Platform Depth | Cab inside Width | Cab inside Depth | Type of Opening | Size of Opening |
|--------------|----------------|----------------|----------------|----------------|------------------|------------------|-----------------|-----------------|
| Kg | HW | HD | PW | PD | CIW | CID | | |
| 2500 | 108" | 79 1/4" | 84" | 66 3/4" | 80" | 51 3/4" | SSP, CO | 42" x 84" |
| 1134 | 2743 | 2013 | 2134 | 1695 | 2032 | 1314 | | 1067 x 2134 |

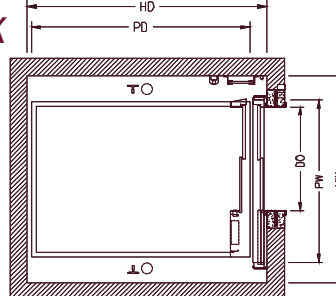
Holed

Front Opening



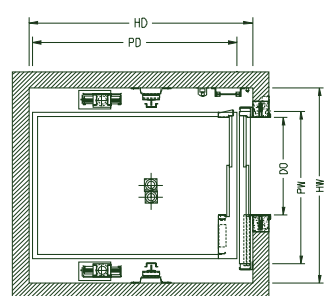
Twin Jack Direct

Front Opening



Twin Jack Roped

Front Opening

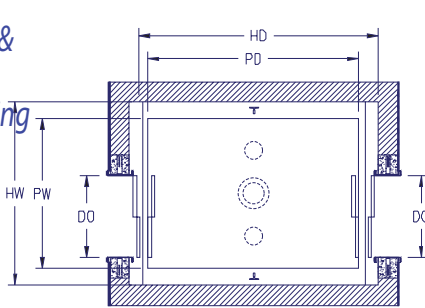


| Capacity Lbs | Hoistway Width | Hoistway Depth | Platform Width | Platform Depth | Cab inside Width | Cab inside Depth | Type of Opening | Size of Opening |
|--------------|----------------|----------------|----------------|----------------|------------------|------------------|-----------------|-----------------|
| Kg | HW | HD | PW | PD | CIW | CID | | |
| 2500 | 72" | 101" | 56" | 91" | 52" | 80" | 2SP | 36" x 84" |
| 1134 | 1829 | 2565 | 1422 | 2311 | 1321 | 2032 | | 915 x 2134 |

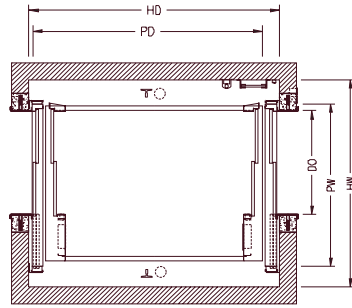
| Capacity Lbs | Hoistway Width | Hoistway Depth | Platform Width | Platform Depth | Cab inside Width | Cab inside Depth | Type of Opening | Size of Opening |
|--------------|----------------|----------------|----------------|----------------|------------------|------------------|-----------------|-----------------|
| Kg | HW | HD | PW | PD | CIW | CID | | |
| 2500 | 76" | 101" | 56" | 91" | 52" | 80" | 2SP | 36" x 84" |
| 1134 | 1930 | 2565 | 1422 | 2311 | 1321 | 2032 | | 915 x 2134 |

| Capacity Lbs | Hoistway Width | Hoistway Depth | Platform Width | Platform Depth | Cab inside Width | Cab inside Depth | Type of Opening | Size of Opening |
|--------------|----------------|----------------|----------------|----------------|------------------|------------------|-----------------|-----------------|
| Kg | HW | HD | PW | PD | CIW | CID | | |
| 2500 | 80" | 101" | 56" | 91" | 52" | 80" | 2SP | 36" x 84" |
| 1134 | 2032 | 2565 | 1422 | 2311 | 1321 | 2032 | | 915 x 2134 |

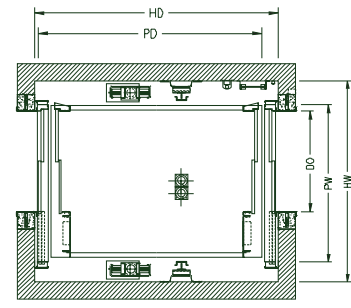
Front & Rear Opening



Front & Rear Opening



Front & Rear Opening



| Capacity Lbs | Hoistway Width | Hoistway Depth | Platform Width | Platform Depth | Cab inside Width | Cab inside Depth | Type of Opening | Size of Opening |
|--------------|----------------|----------------|----------------|----------------|------------------|------------------|-----------------|-----------------|
| Kg | HW | HD | PW | PD | CIW | CID | | |
| 2500 | 72" | 114 1/4" | 56" | 98 3/4" | 52" | 80 3/4" | 2SP | 36" x 84" |
| 1134 | 1829 | 2902 | 1422 | 2508 | 1321 | 2051 | | 915 x 2134 |

| Capacity Lbs | Hoistway Width | Hoistway Depth | Platform Width | Platform Depth | Cab inside Width | Cab inside Depth | Type of Opening | Size of Opening |
|--------------|----------------|----------------|----------------|----------------|------------------|------------------|-----------------|-----------------|
| Kg | HW | HD | PW | PD | CIW | CID | | |
| 2500 | 76" | 114 1/4" | 56" | 98 3/4" | 52" | 80 3/4" | 2SP | 36" x 84" |
| 1134 | 1930 | 2902 | 1422 | 2508 | 1321 | 2051 | | 915 x 2134 |

| Capacity Lbs | Hoistway Width | Hoistway Depth | Platform Width | Platform Depth | Cab inside Width | Cab inside Depth | Type of Opening | Size of Opening |
|--------------|----------------|----------------|----------------|----------------|------------------|------------------|-----------------|-----------------|
| Kg | HW | HD | PW | PD | CIW | CID | | |
| 2500 | 80" | 114 1/4" | 56" | 98 3/4" | 52" | 80 3/4" | 2SP | 36" x 84" |
| 1134 | 2032 | 2902 | 1422 | 2508 | 1321 | 2051 | | 915 x 2134 |

Global-Tardif reserves the right to change specifications without notice

Outstanding Cab design **GT-LSE4™**

- ◆ Stainless steel #4 modular cab shell wall structure
- ◆ Stainless steel #4 cab front
- ◆ Stainless steel #4 doors
- ◆ 2" (50 mm) Stainless steel #4 reveals
- ◆ Stainless steel #4 kick base
- ◆ REMOVEABLE plastic laminate hang-on panels
- ◆ Stainless steel #4 solid 1/4" x 2" (6 x 50 mm) flat bar
- ◆ **GT-22E** or **GT-22L** suspended ceiling
- ◆ Aluminum pad hooks



Cab options

Ceiling - Island **GT-23** downlights



Ceiling - Island **GT-124** downlights



Ceiling - Island **GT-PF** with perimeter fluorescent



GT150TSS4

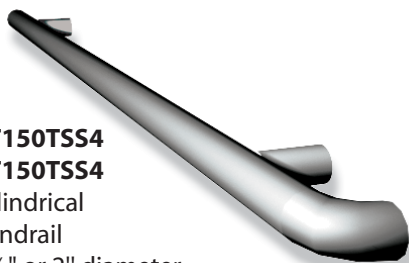
GT150TSS4

Cylindrical

Handrail

1 1/2" or 2" diameter

(38 or 50 mm)



GT146FSS4

GT148FSS4

Solid Handrail

1/4" x 6" - 8"

(6 x 150 - 200 mm)



Standard Fixtures Package

- ◆ LED illumination
- ◆ 24 VDC
- ◆ Stainless steel #4 faceplate
- ◆ Tamper proof screws
- ◆ Blue, red, green, amber or white LED
- ◆ Vandal resistant

